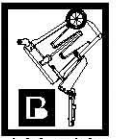




1310 Miller Road  
Greenville, SC 29607

# Barker Products

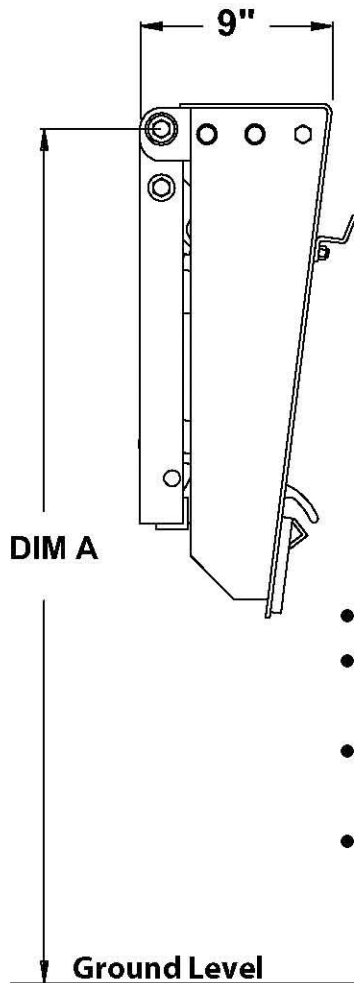
— Lift Unit Specialist —



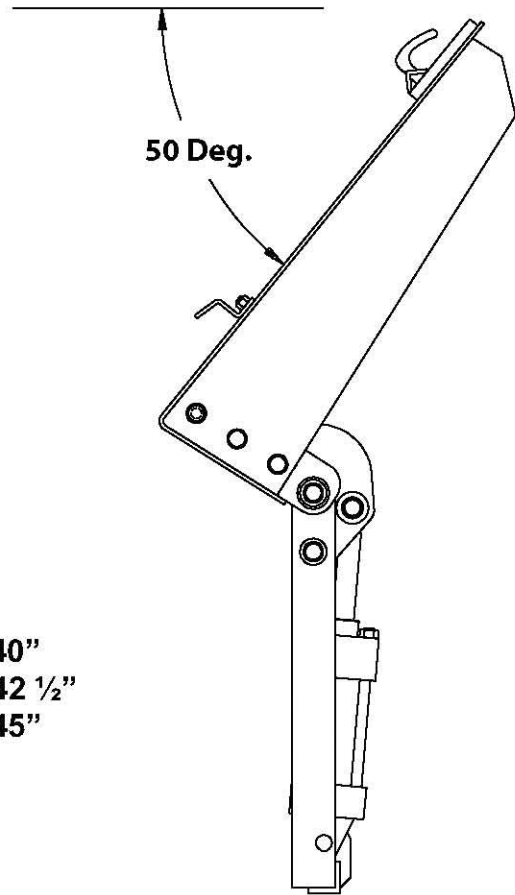
Phone: 864-288-7384  
Fax: 864-297-1292

## BPC 602 Lift Unit

**For Use on Rear Loaders,  
Side Loaders and  
Stationary Compactors**



602A Dim A = 40"  
602B Dim A = 42 1/2"  
602C Dim A = 45"



- ACCOMMODATES ALL STANDARD CARTS
- NEW KICKOUT FEATURE PROTECTS LIFTER FROM GROUND DAMAGE
- MODULAR CONSTRUCTION FOR EASE OF PARTS REPLACEMENT
- 1 1/4" DIAMETER PIVOT SHAFTS FOR EXTENDED BUSHING LIFE



CONSOLIDATED DISPOSAL  
SYSTEMS, INC.

P. O. Box 813154  
Smyrna, GA 30081  
PHONE: 404-696-1530 or  
800-844-1530  
FAX: 404-696-1608

US Patent #5,026,241

All Dimensions are Approximate & Subject to Change