



# KB-20 SERIES



KBF 20H with TKB-1824 Body

**A FIVE-STAR RATING PLACES THE  
KB-20 SERIES IN A CLASS OF ITS OWN.**

- ★ QUALITY
- ★ SAFETY
- ★ ECONOMICAL
- ★ USER-FRIENDLY
- ★ DURABILITY



All design, specifications and components are subject to change at the manufacturer's sole discretion at any time without notice. Data published herein is for information purposes only and shall not be constructed to warrant suitability of the unit for any particular purpose, as performance may vary with the conditions encountered. The only warranty is our standard written warranty for this product at the time of shipment.

**HOL-MAC CORPORATION** • P.O. BOX 349 • BAY SPRINGS, MS 39422 • (601) 764-4121

[www.e-pac-mac.com](http://www.e-pac-mac.com)

**REFUSE AND RECYCLING EQUIPMENT**

# TECHNICAL DATA AND SPECIFICATIONS

## GENERAL SPECIFICATIONS:

Height of boom to ground in lowest travel position ....11 ft.  
 Boom length (16 ft. with 4 ft. extension) .....20 ft.  
 Body length (fixed) .....16, 17, 18 ft.  
 (Optional boom lengths available)  
 Lifting capacity at 20 feet (with grapple) .....3300 lbs.  
 Weight of loader body and truck (empty) .....22,500 lbs.  
 Outrigger extended .....12 ft.  
 retracted .....8 ft.  
 Body hoist capacity .....30,000 lbs.

## BUCKET:

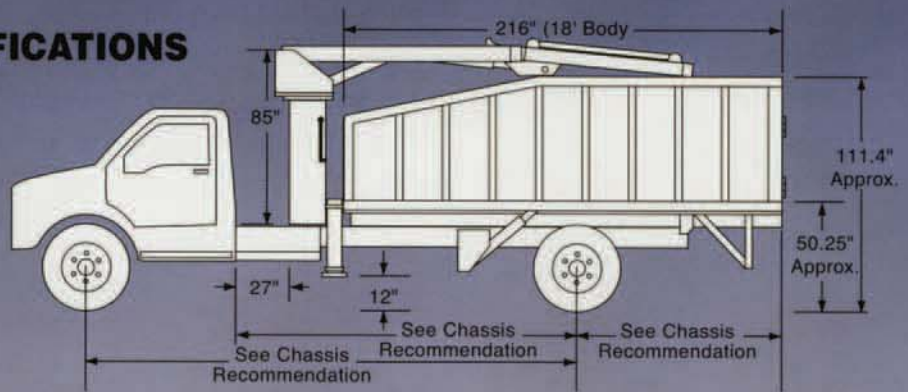
360° continuous rotation. Optional 270°  
 Width .....4 ft.  
 Fully open .....5 ft.  
 High strength tempered steel replaceable cutting edges

## RECOMMENDED CHASSIS:

Cab to axle .....See Chassis Requirements  
 Front axle .....Minimum 12,000 lbs.  
 Rear axle .....Minimum 21,000 lbs.  
 GVW .....Minimum 33,000 lbs.  
 Engine .....Minimum 210 HP  
 Transmission .....automatic or manual  
 Frame .....1,500,000 RBM

## BODY:

Length: .....18, 19, 20 ft.  
 Capacity: .....20, 24, 25, 30 cu. yds.  
 Tilt to 45° for dumping  
 Two heavy-duty "barn type" doors  
 Floor - 3/16 inch smooth steel plate  
 Sides - 10 gauge smooth steel plate



The **KB-20 Series** has been designed for easy operator access, easy service, easy maintenance and with the low initial cost, it makes this loader a great **ECONOMICAL** package.



A **USER-FRIENDLY KB-20 Series** truck body makes loading and unloading heavy, bulky materials easier. Two heavy-duty doors swing completely open for easy discharge. Also available is an optional scow (open back) type body.



**QUALITY** - The **KB-20 Series** boom hoses are protected from debris with no hoses exposed below the rotator. The boom is equipped with a continuous rotating grapple. The grapple is constructed with bolt-on heat-treated steel cutting edges. The edges are overlapping allowing the grapple to close completely. This is a distinct feature that puts this grapple in a **CLASS OF ITS OWN**.



**SAFETY** features include hydraulic hoses enclosed in a pedestal structure. For superior safety, the **KB-20 Series** features pilot operated check valves as an integral part of each boom and outrigger cylinders. Shown with optional pilot operated electronic joystick controls.



**DURABILITY** - The **KB-20 Series** truck body is equipped with twin telescopic dump cylinders, providing a 45-degree body tilt. The **KB-20 Series** offers a structurally sound, heavy-duty body that will stand the test of time.

DISTRIBUTED BY



CONSOLIDATED DISPOSAL SYSTEMS, INC.

P. O. Box 813154  
 Smyrna, GA 30081  
 PHONE: 404-696-1530 or  
 800-844-1530  
 FAX: 404-696-1608



All design, specifications and components are subject to change at the manufacturer's sole discretion at any time without notice. Data published herein is for information purposes only and shall not be construed to warrant suitability of the unit for any particular purpose, as performance may vary with the conditions encountered. The only warranty is our standard written warranty for this product at the time of shipment.

HOL-MAC CORPORATION • P.O. BOX 349 • BAY SPRINGS, MS 39422 • (601) 764-4121

www.e-pac-mac.com

**REFUSE AND RECYCLING EQUIPMENT**